

THE **RJ-SERIES** IS A SINGLE ACTING SPRING RETURN CYLINDER. IT IS IDEALLY SUITED TO JACKING, TESTING, WEIGHING AND GENERAL MAINTENANCE APPLICATIONS THAT REQUIRE A HIGH TONNAGE SHORT STROKE CYLINDER DESIGN IN CAPACITIES BEYOND THE 100 TON RLP SERIES.

All RJ-Series cylinders feature a hard chrome cylinder bore and piston rod for maximum corrosion resistance and bronze overlay piston bearing area to reduce scoring and increase service life. Removable hardened saddles are standard.



**EXCEEDS**  
ANSI/ASME B30.1  
**SAFETY**  
STANDARDS



Model Number	Cylinder Capacity ton* / kN	Stroke (mm)	Cylinder Effective Area (cm <sup>2</sup> )	Oil Capacity (cm <sup>3</sup> )	A Collapsed Height (mm)	B Extended Height (mm)	D Outside Diameter (mm)	
RJ-1502	150	1,407	50	201.0	1,005	200	250	215
RJ-1504		1,407	100	201.0	2,010	250	350	215
RJ-2002	200	1,984	50	283.4	1,417	200	250	255
RJ-2004		1,984	100	283.4	2,834	250	350	255

\* Nominal Cylinder Capacity in ton - see kN values for actual capacity

**POWDER COATED FINISH**

enhances appearance and reduces corrosion

**HARD CHROME PLATED BORE**

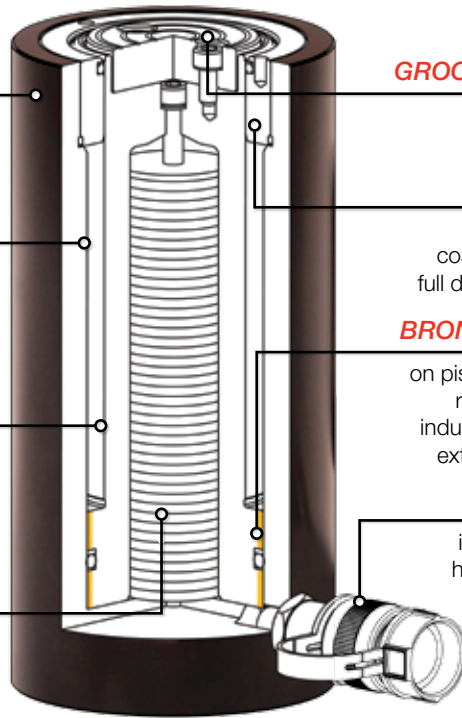
for maximum corrosion resistance and cylinder life

**HARD CHROME PLATED PISTON ROD**

for maximum corrosion resistance and cylinder life

**RETURN SPRING**

is sized to ensure efficient piston rod return and maximum spring life



**HARDENED GROOVED SADDLE**

to prevent piston rod damage

**GLAND NUT**

with low friction coating withstands full dead end loading

**BRONZE OVERLAY**

on piston bearing area reduces side load induced damage and extends cylinder life

**PARKER**

industry standard high flow coupling for compatibility



CAPACITY

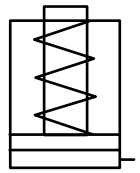
**150 - 200 ton**

STROKE

**50 - 100 mm**

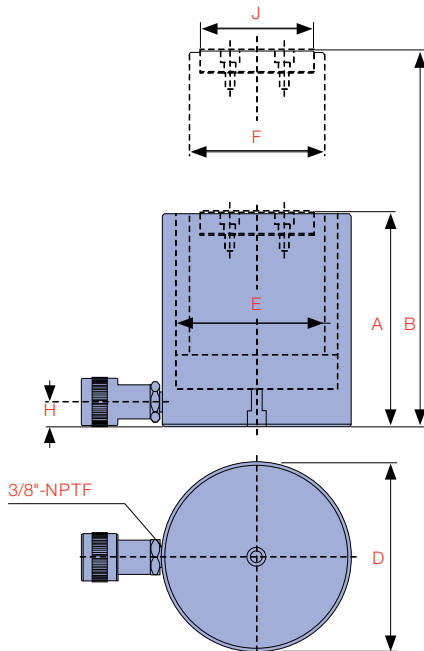
MAXIMUM OPERATING PRESSURE

**700 bar**



**B**

**CYLINDERS**



**Did you know...**

RLP-Series cylinders offer short stroke capacities from 10-100 ton.



E Cylinder Bore Diameter (mm)	F Piston Rod Diameter (mm)	H Base to Advance Port (mm)	J Standard Saddle Diameter (mm)	Weight (kg)	Model Number	Handle Type
160	115	50	99	50	RJ-1502	◆♥
160	115	50	99	60	RJ-1504	◆♥
190	135	50	115	72	RJ-2002	◆♥
190	135	50	115	85	RJ-2004	◆♥

HANDLE TYPES: ♣ WELDED ◆ EYEBOLT ♥ REMOVABLE STRAP HANDLE ♠ THREAD