

THE PHS-SERIES ARE AIR OPERATED HYDROSTATIC POWER UNITS THAT WORK WITH EITHER WATER OR OIL.

These self-contained units are compact and robust and operate at either 300 or 700 bar. They come complete with air filter, regulator, lubricator, air/hydraulic pressure gauges, outlet pressure connection block, release valve and interconnecting pipework. The equipment is mounted inside a stainless steel frame and the power unit is ideally suited to hydrostatic testing, operation of hydraulic valve actuators, clamping and tensioning tools.



STRAINER FILTER

supplied on fluid inlet

FILTER, REGULATOR AND LUBRICATOR

are supplied on the air inlet

AIR PRESSURE GAUGE

to monitor working air pressure

LIQUID FILLED HYDROSTATIC PRESSURE GAUGE

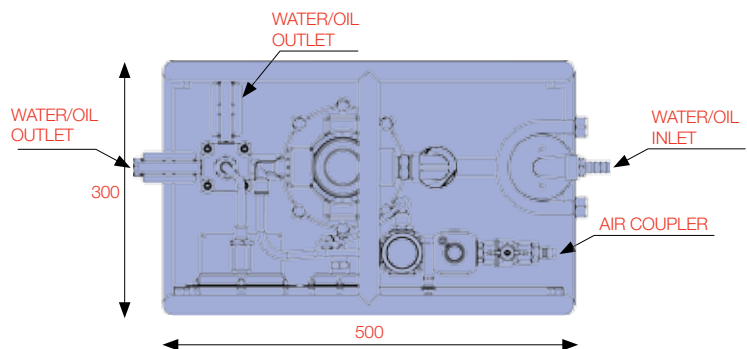
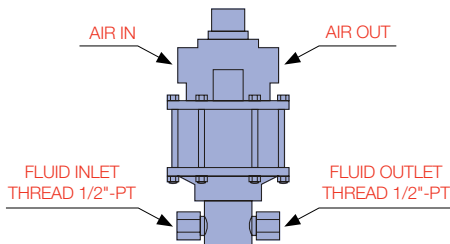
scale is bar/psi

STAINLESS STEEL BASE AND FRAME

resists corrosion and allows for easy handling

WATER/OIL OUTLETS

fitted with a 3/8"-18NPTF needle valve to allow greater control



Model Number	Compression Ratio	Output Oil/Water Flow Rate (cm ³ /stroke)	Maximum Operating Pressure (bar)	Working Air Pressure (bar)	Weight (kg)	Water/Oil Inlet Thread	Approx. Dimensions (mm)
PHS-300	1:60	6.4	300	5 ~ 7	25	3/8"-18NPTF	500 W x 300 L x 420 H
PHS-700	1:150	2.5	700	5 ~ 7	25	3/8"-18NPTF	500 W x 300 L x 420 H

THE **PHS-1900** IS A MANUALLY OPERATED HYDROSTATIC POWER UNIT THAT WORKS WITH EITHER WATER OR OIL.

Special steels and rust proofing treatments allow the unit to be used in test applications using water as the hydraulic medium. It is a single speed pump and is fitted with a high pressure safety relief valve set at 700 bar. A reservoir fill plug allows the use of an additional reservoir if more volume is required.



RESERVOIR CAPACITY

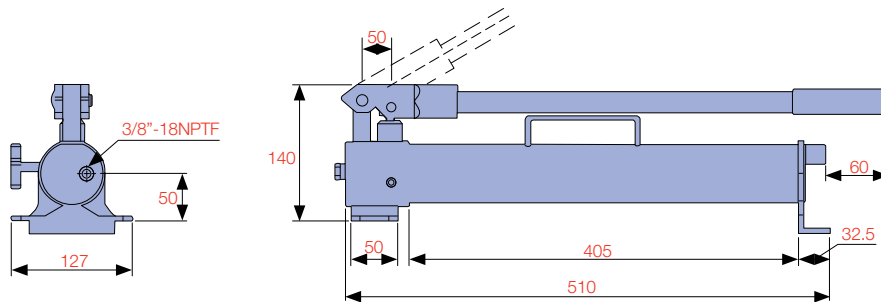
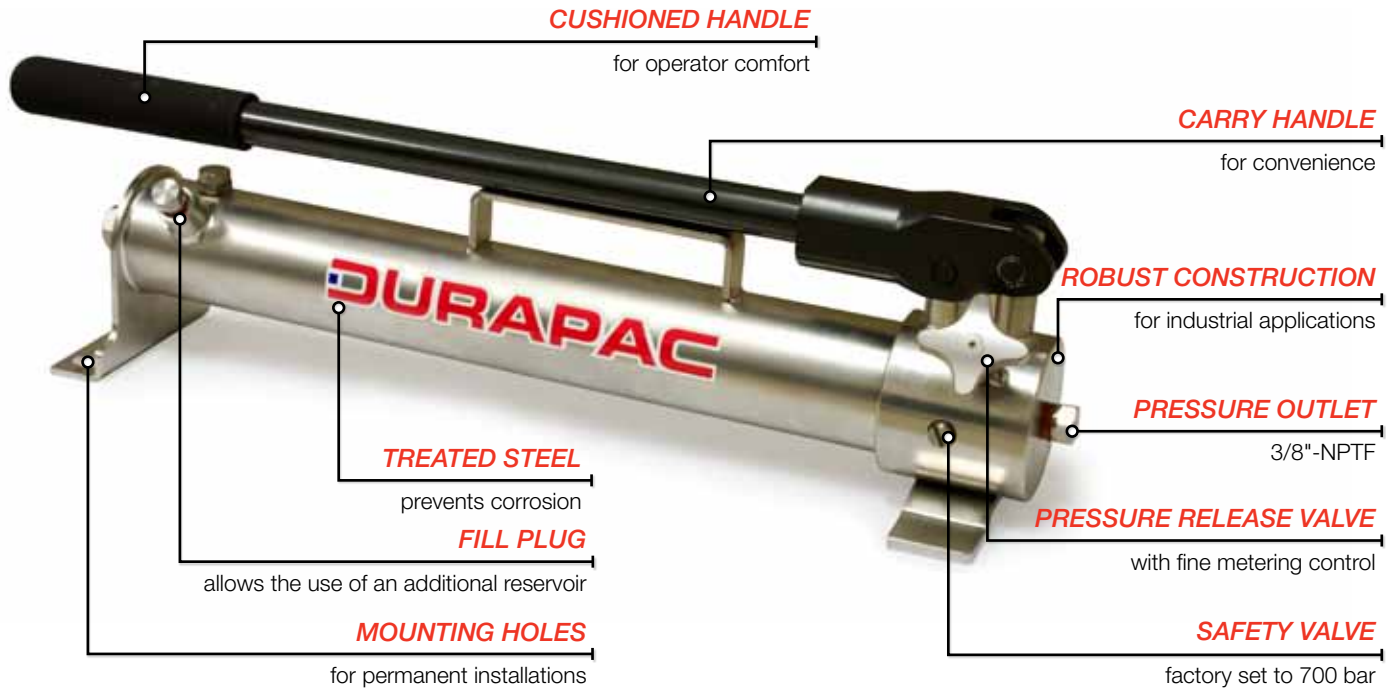
900 cc

AIR PRESSURE RANGE

5 - 7 bar

MAXIMUM OPERATING PRESSURE

300/700 bar



Model Number	Used with Cylinder	Pressure Rating (bar)	Usable Water Capacity (cc)	Water Volume per Stroke (cc)	Outlet Port Thread	Weight (kg)
PHS-1900	S/A	700	900	2.3	3/8"-NPTF	6.45