

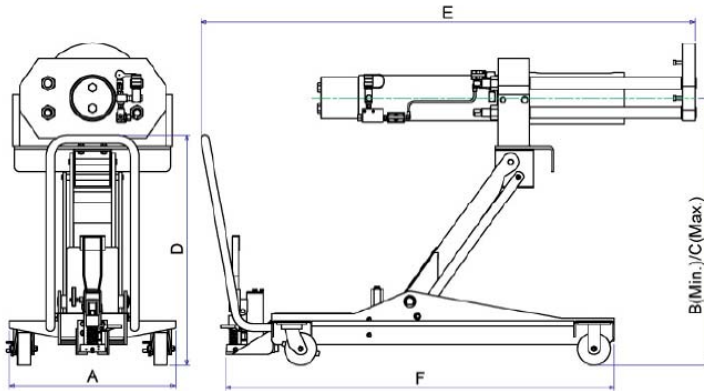
DURAPAC®

ENGINEERED FOR RELIABILITY

DRP-100E 100 TON RAILROAD AXLE JOURNAL ROLLER BEARING PUSH / PULLER



- Remove or install railroad axle journal tapered roller bearings easily and efficiently.
- Specially designed for use with major bearing brands.
- Portable design for convenient positioning and storage.
- Accessory sets available for all common bearing classes.
- Supplied with 230v electric pump.



Stroke (mm)	Capacity (Ton) Pull	Capacity (Ton) Push	A (mm)	B (mm)	C (mm)	D (mm)	E (mm)	F (mm)	Weight (kg)
392	100	68	652	370	1047	900	1940-2209	1530	455

DURAPAC is a registered brand of

AE **Absolute** **EQUIPMENT**

2/186 Granite Street, GEEBUNG, QLD 4034

Accessory Set order information—IMPORTANT.

This accessory chart only applies to AAR configurations for freight car applications.

Class & Size of bearing assembly—TBU & SP “Metric Accessories”

Accessory Description	120	130	140	150
Pulling Shoe Insert Adaptor	*	*	*	*
Guide Tube & Cap Screw Assembly	*	*	*	*
Cap Screw **	**	**	**	**
Guide Tube Adapter	*	*	*	*
Installing Tube Adapter Ring	*	*	*	*

Class & Size (Inch) of bearing assembly to be serviced

Accessory Description	Class B	Class C	Class D	Class E	Class EE	Class EE	Class F	Class G	Class G	Class GG
	4 1/4" x 8"	5" x 9"	5 1/2" x 10"	6" x 11"	5 1/2" Axle	6" Axle	6 1/2" x 12"	7" x 12"	6 1/2" Axle	6 1/2" Axle
Pulling Shoe	Included as part of basic machine—do not order							*	*	*
Pulling Shoe Insert Adaptor	*	*	*	*	*	*	*	*	*	*
Guide Tube & Cap Screw Assembly	*	*	*	*	*	*	*	*	*	*
Cap Screw **	*	*	*	*	*	*	*	*	*	*
Guide Tube Adapter	*	*	*	*	*	*	*	*	*	*
Installing Tube	Included as part of basic machine—do not order							*	*	*
Installing Tube Adapter Ring	*	*	*	*	*	*	*	*	*	*

Note: Adaptors listed above are for servicing the following roller bearing assemblies: Brenco “Crown Taper”; New Departure-Hyatt “Hyroll Taper”; SKF “Expiditer”.

* Included in standard accessory set.

** Screws are supplied with the guide tube and should be ordered as replacements only.

DURAPAC is a registered brand of

