

**DURAPAC**  
ENGINEERED FOR RELIABILITY

# Instruction Manual

Single Acting Hydraulic, High Tonnage  
Jacking Cylinders – RJ Series



**Maximum Operating Pressure – 700 bar**



This is a safety alert symbol. It is used to alert you to potential personal injury hazards. Obey all safety messages that follow this symbol to avoid injury or death

## 1.0 Product Information

DURAPAC – Hydraulic Cylinders are engineered to meet ANSI/ASME B30.1 Standards for Performance and Safety. The RJ Series is a single acting, spring return cylinder. It is ideally suited to jacking, testing, weighing and general maintenance applications that require a high tonnage, short stroke cylinder.

All RJ Series cylinders feature a hard chrome cylinder bore and piston rod for maximum corrosion resistance and bronze overlay piston bearing area to reduce scoring and increase service life. Removable hardened saddles are standard.

- Powder coated finish enhances appearance and reduces corrosion
- Hard chrome plated bore for maximum corrosion resistance and cylinder life
- Hardened grooved saddle to prevent piston rod damage
- Gland nut with low friction coating withstands full dead end loading
- Hard chrome plated piston rod for maximum corrosion resistance and cylinder life
- Bronze overlay on piston bearing area reduces side load induced damage and extends cylinder life
- Return spring is sized to ensure efficient piston rod return and maximum spring life
- Industry standard Parker high flow coupling for compatibility

Special skill, knowledge and training may be required for a specific task and the product may not be suitable for all jobs. The user must ultimately make the decision regarding suitability of the product for any given task and assume the responsibility of safety for all in the work area. Contact a Durapac representative if you are unsure of your cylinder's suitability for a particular application.

## 2.0 Receiving Instructions

It is recommended prior to use that an inspection be done by qualified personnel and that any missing or damaged parts, decals, warning/safety labels or signs are replaced with Durapac authorised replacement parts only. Any cylinder that appears to be damaged in any way, is worn, leaking or operates abnormally should be removed from service immediately until such time as repairs can be made. Any cylinder that has been or suspected to have been subject to a shock load should be removed from service immediately until inspected by a Durapac authorised service centre. Owners and operators of this equipment should be aware that the use and subsequent repair of this equipment may require specialised training and knowledge.

## 3.0 Safety

Save these instructions. For your safety, read and understand the information contained within. The owner and operator should have an understanding of this product and safe operating procedures before attempting to use this product. Instructions and safety information should be conveyed in the operator's native language before use of this product is authorised. Make certain that the operator thoroughly understands the inherent dangers associated with the use and misuse of the product. If

any doubt exists as to the safe and proper use of this product as outlined in this factory authorised manual, remove from service immediately.

**DANGER:**

- To avoid personal injury keep hands and feet away from work area during operation
- **Do NOT** handle pressurised hoses. Escaping oil under pressure can penetrate the skin causing serious injury. If oil is injected under the skin, see a doctor immediately
- Stay clear of loads supported by hydraulics. A cylinder, when used as a load lifting device, should never be used as a load holding device. After the load has been raised or lowered, it must always be supported mechanically

**WARNING:**

- The system operating pressure must not exceed the pressure rating of the lowest rated component in the system. Install pressure gauges in the system to monitor operating pressure. It is your window to what is happening in the system
- Always wear appropriate personal protective equipment (PPE) when operating hydraulic equipment. The operator must take precaution against injury due to failure of the tool or work piece(s)
- **Do NOT** hold or stand directly in line with any hydraulic connections while pressurising
- **Do NOT** attempt to disconnect hydraulic connections under pressure. Release all line pressure before disconnecting hoses
- All personnel must be clear before lowering load or depressurising the system
- **Do NOT** attempt to lift a load weighing more than the capacity of the cylinder

**IMPORTANT:**

- If at any stage, the safety related decals become hard to read, these must be replaced
- Minimum age of the operator must be 18 years. The operator must have read and understood all instructions, safety issues, cautions and warnings before starting to operate the equipment. The operator is responsible for this activity towards other persons
- **Do NOT** lift hydraulic equipment by the hoses or couplers. Use the carrying handle or other means of safe transport
- Hydraulic equipment must only be serviced by a qualified hydraulic technician. For repair service, contact the Durapac authorised service centre in your area. To protect your warranty, use only high quality hydraulic oil

**CAUTION:**

- **KEEP HYDRAULIC EQUIPMENT AWAY FROM FLAMES AND HEAT.** Hydraulic fluid can ignite and burn. Excessive heat will soften packings and seals, resulting in fluid leaks. Heat also weakens hose materials and packings. For optimum performance do not expose equipment to temperatures of 65°C (150°F) or higher. Protect all equipment from weld spatter

- No alteration should be made to this device

### 3.1 Hydraulic Cylinders

- To avoid personal injury and possible equipment damage, make sure all hydraulic components withstand the maximum pressure of 700 bar (10,000psi)
- **Do NOT** overload equipment. Overloading can cause equipment failure and possible personal injury
- This device is not suitable for use as a support device! As the system load is lifted, use blocking and cribbing to guard against a falling load
- **BE SURE SETUP IS STABLE BEFORE LIFTING LOAD.** Cylinders should be placed on a flat surface that can support the load. Where applicable, use a cylinder base for added stability. Do not weld or otherwise modify the cylinder to attach a base or other support
- Avoid situations where loads are not directly centred on the cylinder piston. Off-centre loads produce considerable strain on cylinder and pistons. In addition, the load may slip or fall, causing potentially dangerous results
- Distribute the load evenly across the entire saddle surface. Always use a saddle to protect the piston (if one is provided)
- **USE ONLY RIGID PIECES TO HOLD LOAD.** Carefully select steel or wood blocks that are capable of supporting the load. Never use a hydraulic cylinder as a shim or spacer in any lifting or pressing application
- **Never** pressurise uncoupled couplers. Only use hydraulic equipment in a coupled system

### 3.2 Hydraulic Hoses & Fluid Transmission Lines

- Avoid short runs of straight line tubing. Straight line runs do not provide for expansion and contraction due to pressure and/or temperature changes
- Reduce stress in tube lines. Long tubing runs should be supported by brackets or clips. Before operating the pump, connections should be tightened securely and leak-free. Over tightening can cause premature thread failure or high pressure fittings to burst
- Should a hydraulic hose ever rupture, burst or need to be disconnected, immediately shut off the pump and release all pressure. Never attempt to grasp a leaking pressurised hose with your hands. The force of escaping hydraulic fluid can inflict injury
- **Do NOT** subject the hose to potential hazard such as fire, sharp objects, extreme heat or cold or heavy impact
- **Do NOT** allow the hose to kink, twist, curl, crush, cut or bend so tightly that the fluid flow within the hose is blocked or reduced. Periodically inspect the hose for wear

- Hose material and coupler seals must be compatible with the hydraulic fluid used. Hoses also must not come in contact with corrosive materials such as battery acid, creosote-impregnated objects and wet paint. Never paint a coupler or hose

**FAILURE TO HEED THESE WARNINGS MAY RESULT IN PERSONAL INJURY AS WELL AS PROPERTY DAMAGE.**

## 4.0 Installation

- ⚠ **WARNING:** When hoisting the cylinder, use **all** of the eye bolts. Failure to do so could cause the cylinder to drop unexpectedly. Lifting straps must be at a 45 degree or greater angle from horizontal. See Figure 1 (below)

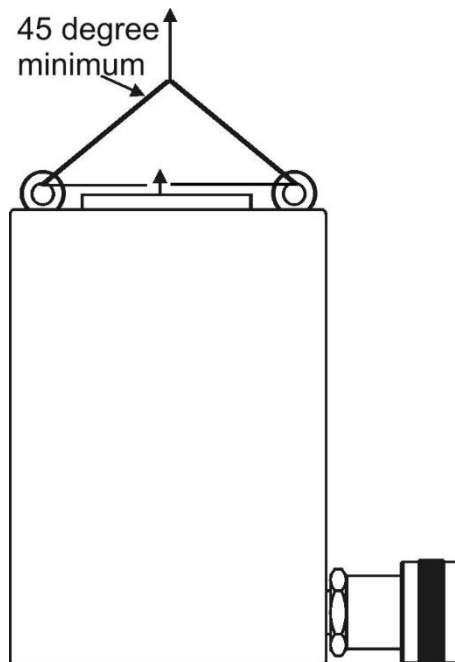


Figure 1 – Hoisting Cylinder

- ⚠ **IMPORTANT:** Always secure threaded port connections with high grade, non-hardening pipe thread sealant. Teflon tape can be used if only one layer of tape is used and it is applied carefully, two threads back, to prevent the tape from being introduced into hydraulic system, which could cause jamming of precision-fit parts
- ⚠ **CAUTION:** DO NOT allow the piston rod to rotate when installing adaptors. Damage to the spring may prevent piston rod retraction
  - 4.1 Know your cylinder, its limitations and how it operates before attempting to use. If in doubt, contact Durapac.
  - 4.2 Make hydraulic connections; use a pump release valve or a 3-way valve and one hose for single-acting cylinder.
    - ⚠ **IMPORTANT:** Fully hand-tighten all couplers. Loose coupler connections will block the flow of oil between the pump and the cylinder
  - 4.3 Check all system fittings and connections to be sure they are tight and leak free.
  - 4.4 Check oil level in reservoir before operating pump.

- 4.5 Remove air from the system – Position the cylinder so that the piston rod is pointed down and the cylinder is lower than the pump. Advance and retract the cylinder several times, avoiding pressure build-up. Air removal is complete when the cylinder motion is smooth.

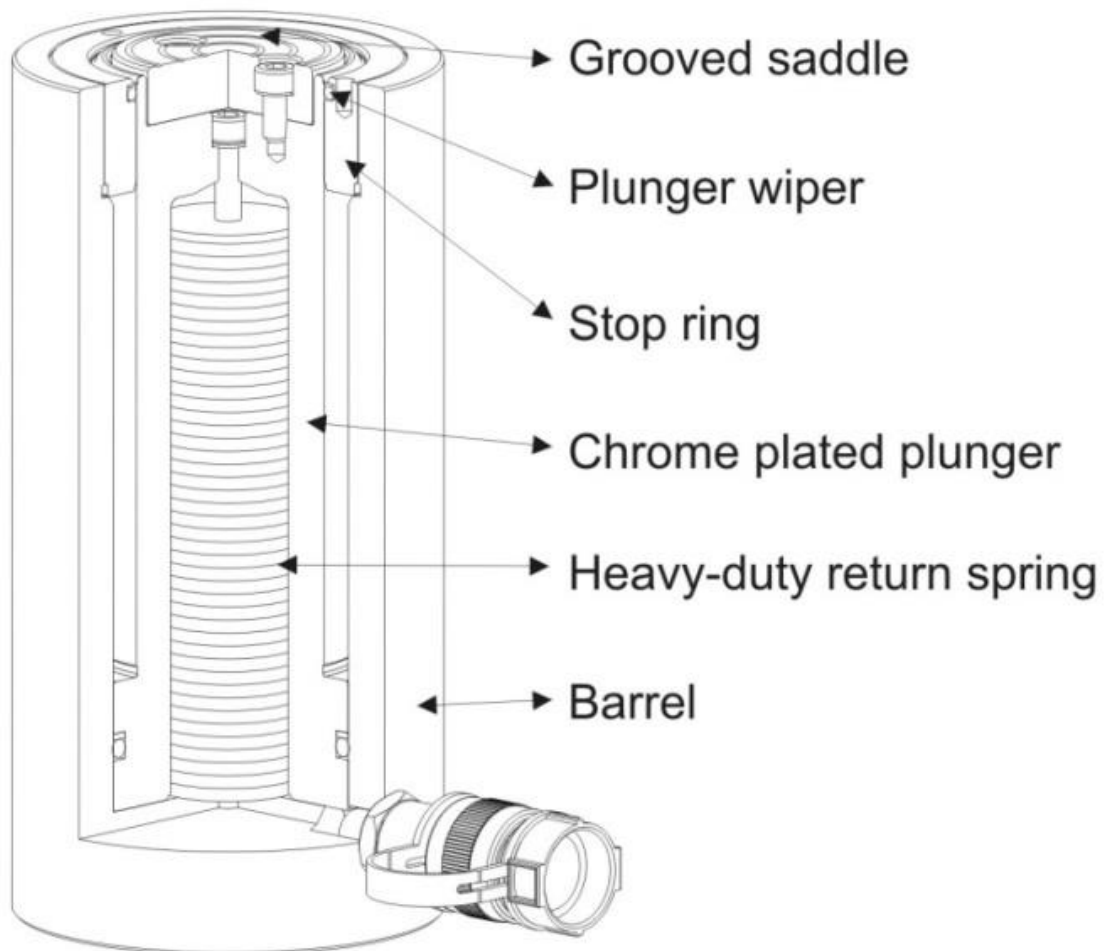


Figure 2 – RJ Series Sectional Drawing

## 5.0 Operation



### IMPORTANT:

- Always use a flat, hard surface as a cylinder support plate
- Cylinder gland nut/stop ring is designed to take the full load, to reduce cylinder wear, use less than the full stroke where possible

For complete operating instructions refer to the instruction sheet included with each pump.

### 5.1 Advancing and retracting the cylinder

The RJ Series cylinders are a spring return cylinder and the speed of retraction is affected by the length of the hose and other restrictions in the line.

Shift the valve on the pump to the advance position and run the pump to advance the cylinder. To retract the cylinder, shift the valve to the retract position.

## 5.2 Side Load

Eliminate the presence of side load forces when using high tonnage cylinders. Side load can occur through:

- 5.2.1 An eccentric load on the piston rod.
- 5.2.2 A horizontal load on a structure.
- 5.2.3 A structure and/or cylinder misalignment.
- 5.2.4 Non synchronised lifting actions
- 5.2.5 Non stable cylinder base support.

## 6.0 Maintenance



### IMPORTANT:

- Use only good quality hydraulic fluid. **Do NOT** use brake fluid, transmission fluid, turbine oil, motor oil, alcohol, glycerine etc. Use of anything other than good quality hydraulic oil will void warranty and damage the cylinder and application. We recommend Durapac Hydraulic Oil or equivalent
- Equipment must only be serviced by a qualified hydraulic technician. For repair service, contact your local Durapac authorised service centre
- Damage to hydraulic hoses may not be detected during visual inspections. For this reason, Durapac recommends that hydraulic hoses be replaced on a regular basis
- Tighten connections as needed. Use non-hardening pipe thread compound when servicing connections

Dirt, sand, etc. will quickly ruin any hydraulic system. Ensure that couplings are clean and free of foreign matter. After each use, clean couplings and attach dust caps.

Maintenance is required when wear or leakage is noticed. Periodically inspect all components to detect any problem that may require service and maintenance.

- 6.1 Check for loose connections and leaks.
- 6.2 Replace damaged parts immediately.
- 6.3 Do not exceed oil temperature above 60°C.
- 6.4 Keep all hydraulic components clean.
- 6.5 Use dust caps when cylinder is disconnected from the hose. Keep entire cylinder clean to prolong cylinder life.
- 6.6 Wipe thoroughly clean and store cylinders upright (to prevent seal distortion) in a clean, dry environment. Avoid temperature extremes.
- 6.7 Change hydraulic oil in your system as recommended in the pump instruction sheet.

**7.0 Troubleshooting**

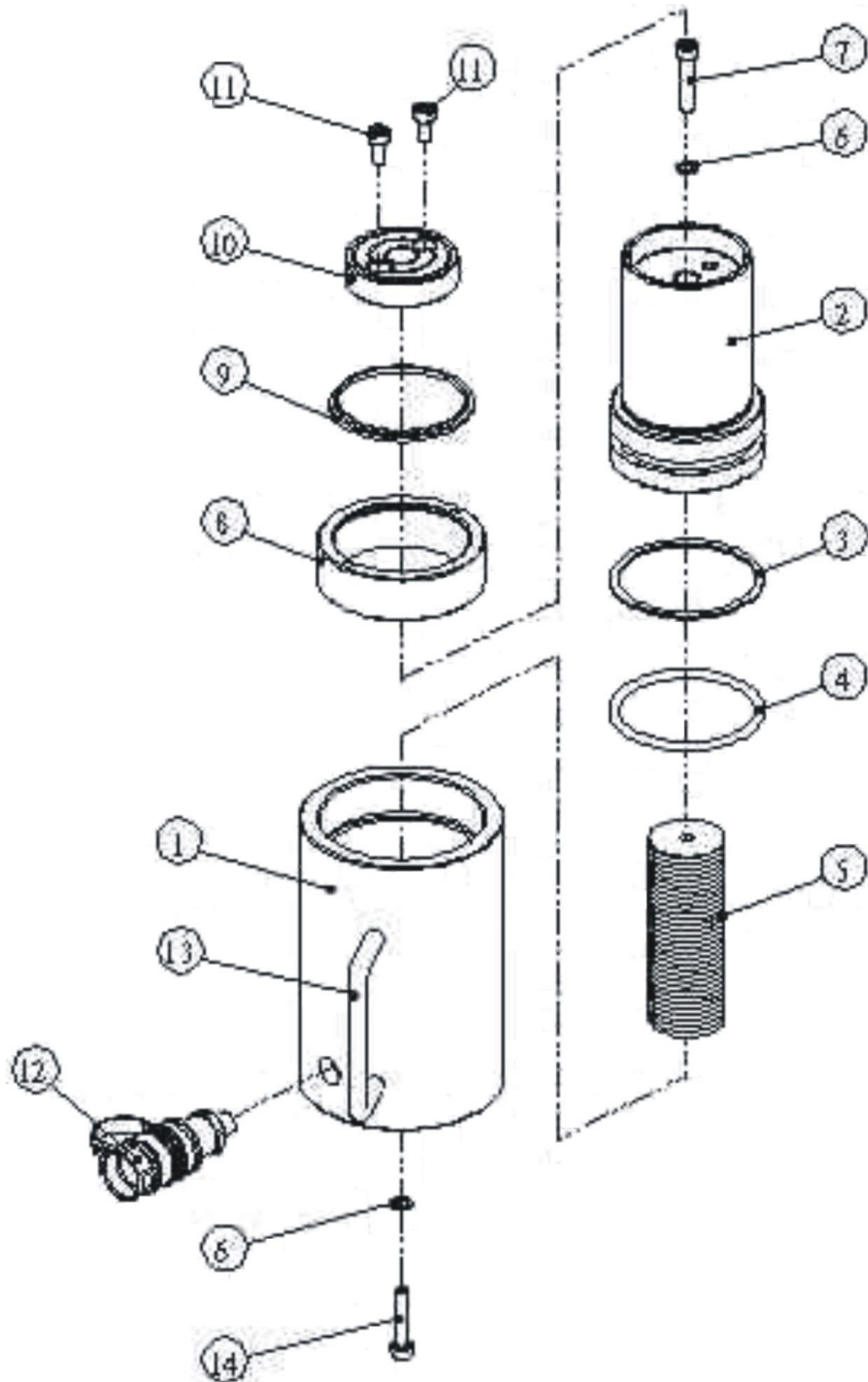
<b>Problem</b>	<b>Cause</b>	<b>Solution</b>
<b>Cylinder moves but does not maintain pressure</b>	Leaking connection	<ul style="list-style-type: none"> <li>• Clean, reseal with thread sealant and tighten connection</li> </ul>
	Leaking cylinder seals	<ul style="list-style-type: none"> <li>• Replace worn seals</li> <li>• Check for excessive contamination or wear</li> <li>• Replace contaminated fluid as necessary</li> </ul>
	Malfunctioning pump/valve	<ul style="list-style-type: none"> <li>• Check pump or valve operating instructions</li> <li>• Repair or replace as necessary</li> </ul>
<b>Cylinder leaks hydraulic fluid</b>	Worn or damaged seals	<ul style="list-style-type: none"> <li>• Replace worn seals</li> <li>• Check for excessive contamination or wear</li> <li>• Replace contaminated fluid as necessary</li> </ul>
	Loose connections	<ul style="list-style-type: none"> <li>• Clean, reseal with thread sealant and tighten connection</li> </ul>
<b>Cylinder will not retract or retracts slower than normal</b>	Closed pump release valve	<ul style="list-style-type: none"> <li>• Open pump release valve</li> </ul>
	Loose couplers	<ul style="list-style-type: none"> <li>• Tighten couplers</li> </ul>
	Blocked hydraulic lines	<ul style="list-style-type: none"> <li>• Clean and flush lines</li> </ul>
	Weak or broken retraction springs	<ul style="list-style-type: none"> <li>• Send to a Durapac authorised service centre for repair</li> </ul>
	Internally damaged cylinder	<ul style="list-style-type: none"> <li>• Send to a Durapac authorised service centre for repair</li> </ul>
	Pump reservoir too full	<ul style="list-style-type: none"> <li>• Drain hydraulic fluid to correct level</li> </ul>
<b>Erratic Action</b>	Air in system or pump cavitation	<ul style="list-style-type: none"> <li>• Add fluid, bleed air and check for leaks</li> </ul>
	External leakage	<ul style="list-style-type: none"> <li>• Replace worn packings</li> <li>• Check for excessive contamination fluid as necessary</li> <li>• Replace contaminated fluid as necessary</li> </ul>
	Sticking or binding cylinder	<ul style="list-style-type: none"> <li>• Check for dirt or leaks</li> <li>• Check for bent, misaligned, worn parts or defective packings</li> </ul>
<b>Cylinder does not move</b>	Loose couplers	<ul style="list-style-type: none"> <li>• Tighten couplers</li> </ul>
	Faulty coupler	<ul style="list-style-type: none"> <li>• Verify that female coupler is not locked up (ball</li> </ul>



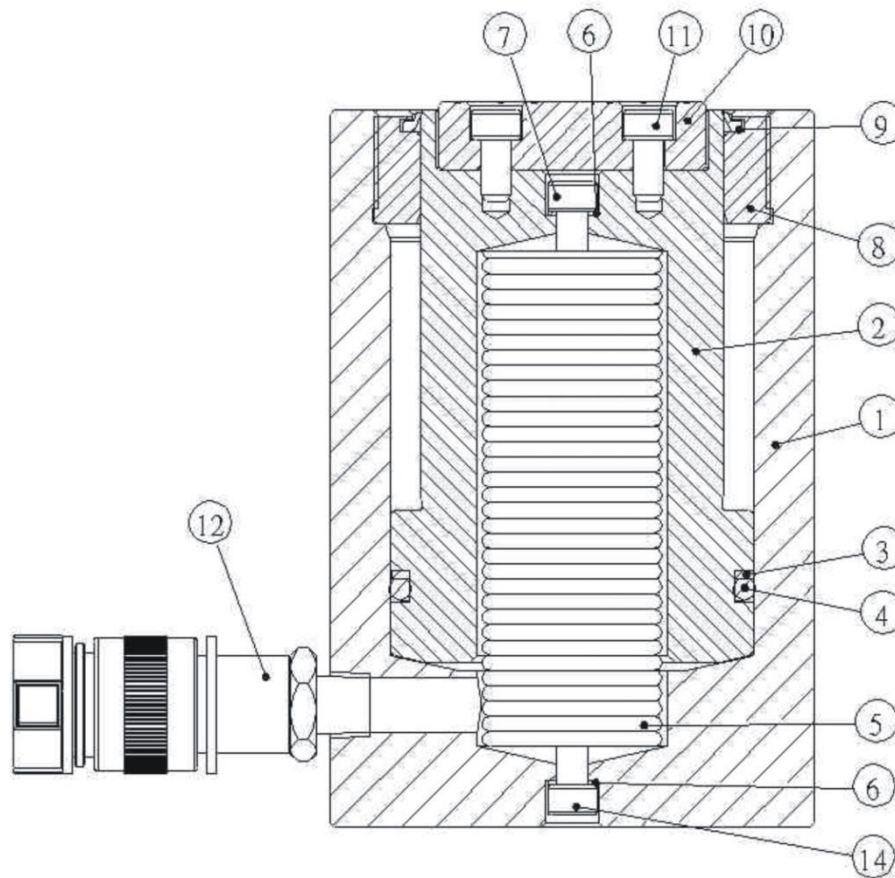
Problem	Cause	Solution
		wedged into seat) <ul style="list-style-type: none"> <li>• Replace both male and female couplers</li> </ul>
	Improper valve position	<ul style="list-style-type: none"> <li>• Close release valve or shift to new position</li> </ul>
	Low or no hydraulic fluid in pump reservoir	<ul style="list-style-type: none"> <li>• Fill and bleed the system</li> </ul>
	Air-locked pump	<ul style="list-style-type: none"> <li>• Prime pump according to pump operating instructions</li> </ul>
	Pump not operating	<ul style="list-style-type: none"> <li>• Check pump's operating instructions</li> </ul>
	Load is above the capacity of the system	<ul style="list-style-type: none"> <li>• Use the correct equipment</li> </ul>
<b>Cylinder extends only partially</b>	Low or no hydraulic fluid in pump reservoir	<ul style="list-style-type: none"> <li>• Fill and bleed the system</li> </ul>
	Load is above the capacity of the system	<ul style="list-style-type: none"> <li>• Use the correct equipment</li> </ul>
	Sticking or binding cylinder	<ul style="list-style-type: none"> <li>• Check for dirt or leaks</li> <li>• Check for bent, misaligned, worn parts or defective packings</li> </ul>
<b>Cylinder moves slower than normal</b>	Loose couplers	<ul style="list-style-type: none"> <li>• Tighten couplers</li> </ul>
	Restricted hydraulic line or fitting	<ul style="list-style-type: none"> <li>• Clean</li> <li>• Replace if damaged</li> </ul>
	Pump not operating correctly	<ul style="list-style-type: none"> <li>• Check pump's operating instructions</li> <li>• Repair or replace as necessary</li> </ul>
	Low fluid level in pump reservoir	<ul style="list-style-type: none"> <li>• Fill and bleed the system</li> </ul>
	Leaking cylinder seals	<ul style="list-style-type: none"> <li>• Replace worn seals</li> <li>• Check for excessive contamination or wear</li> <li>• Replace contaminated fluid as necessary</li> </ul>

**8.0 Parts Breakdown and List**

**8.1 Parts Breakdown – 150 & 200 Ton Models**



**8.1.1 Cross Section - 150 & 200 Ton Models**



**8.1.2 Parts Listing - 150 & 200 Ton Models**

Parts Listing - RJ-1502			
Item	Description	Part No.	Qty
1	Cylinder	ZAM2286	1
2	Piston rod	ZAM2287	1
3	Back-up ring*	ZAM2235	1
4	O-ring*	ZAM2236	1
5	Spring component	ZAM2288	1
6	Washer*	ZAM1766	2
7	Bolt*	ZAM1807	1
8	Stop-ring	ZAM2289	1
9	Wipers*	ZAM2290	1
10	Load cap	ZAM2291	1
11	Bolt*	ZAM2061	2
12	Coupler (set)	CR-6	1
13	Handle (eyebolt)	ZAM2292	2
14	Bolt*	ZAM1807	1
	Removable strap handle (not shown)	ZAM2292	1
	Seal kit	ZAM1052	1

Parts Listing - RJ-1504			
Item	Description	Part No.	Qty
1	Cylinder	ZAM2319	1
2	Piston rod	ZAM2320	1
3	Back-up ring*	ZAM2235	1
4	O-ring*	ZAM2236	1
5	Spring component	ZAM2321	1
6	Washer*	ZAM1766	2
7	Bolt*	ZAM1807	1
8	Stop-ring	ZAM2289	1
9	Wipers*	ZAM2290	1
10	Load cap	ZAM2291	1
11	Bolt*	ZAM2061	2
12	Coupler (set)	CR-6	1
13	Handle (eyebolt)	ZAM2292	2
14	Bolt*	ZAM1807	1
	Removable strap handle (not shown)	ZAM2292	1
	Seal kit	ZAM1052	1

Parts Listing - RJ-1506			
Item	Description	Part No.	Qty
1	Cylinder	ZAM2322	1
2	Piston rod	ZAM2323	1
3	Back-up ring*	ZAM2235	1
4	O-ring*	ZAM2236	1
5	Spring component	ZAM2324	1
6	Washer*	ZAM1766	2
7	Bolt*	ZAM2325	1
8	Stop-ring	ZAM2289	1
9	Wipers*	ZAM2290	1
10	Load cap	ZAM2291	1
11	Bolt*	ZAM2061	2
12	Coupler (set)	CR-6	1
13	Handle (eyebolt)	ZAM2326	2
14	Bolt*	ZAM1824	1
	Removable strap handle (not shown)	ZAM2292	1
	Seal kit	ZAM1052	1

Parts Listing - RJ-2002			
Item	Description	Part No.	Qty
1	Cylinder	ZAM2327	1
2	Piston rod	ZAM2328	1
3	Back-up ring*	ZAM1492	1
4	O-ring*	ZAM1493	1
5	Spring component	ZAM2288	1
6	Washer*	ZAM1766	2
7	Bolt*	ZAM1824	1
8	Stop-ring	ZAM2329	1
9	Wipers*	ZAM2330	1
10	Load cap	ZAM2331	1
11	Bolt*	ZAM2061	2
12	Coupler (set)	CR-6	1
13	Handle (eyebolt)	ZAM1482	2
14	Bolt*	ZAM1807	1
	Removable strap handle (not shown)	ZAM2332	1
	Seal kit	ZAM1054	1

Parts Listing - RJ-2004			
Item	Description	Part No.	Qty
1	Cylinder	ZAM2333	1
2	Piston rod	ZAM2334	1
3	Back-up ring*	ZAM1492	1
4	O-ring*	ZAM1493	1
5	Spring component	ZAM2335	1
6	Washer*	ZAM1766	2
7	Bolt*	ZAM1824	1
8	Stop-ring	ZAM2329	1
9	Wipers*	ZAM2330	1
10	Load cap	ZAM2331	1
11	Bolt*	ZAM2061	2
12	Coupler (set)	CR-6	1
13	Handle (eyebolt)	ZAM1482	2
14	Bolt*	ZAM1807	1
	Removable strap handle (not shown)	ZAM2332	1
	Seal kit	ZAM1054	1

Parts Listing - RJ-2006			
Item	Description	Part No.	Qty
1	Cylinder	ZAM2336	1
2	Piston rod	ZAM2337	1
3	Back-up ring*	ZAM1492	1
4	O-ring*	ZAM1493	1
5	Spring component	ZAM2338	1
6	Washer*	ZAM1766	2
7	Bolt*	ZAM2325	1
8	Stop-ring	ZAM2329	1
9	Wipers*	ZAM2330	1
10	Load cap	ZAM2331	1
11	Bolt*	ZAM2061	2
12	Coupler (set)	CR-6	1
13	Handle (eyebolt)	ZAM1482	2
14	Bolt*	ZAM1807	1
	Removable strap handle (not shown)	ZAM2332	1
	Seal kit	ZAM1054	1

Items marked with a \* are contained within a standard seal kit.  
Part, serial and model numbers need to be quoted when ordering parts.