

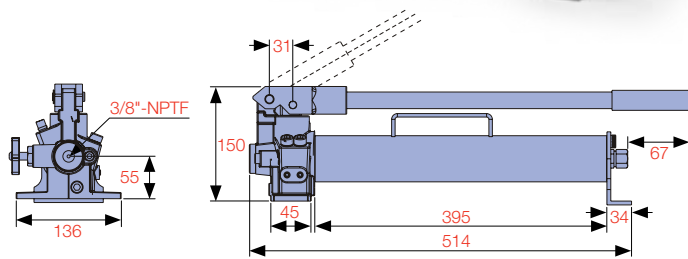
STEEL BODIED MANUAL HAND PUMPS

D

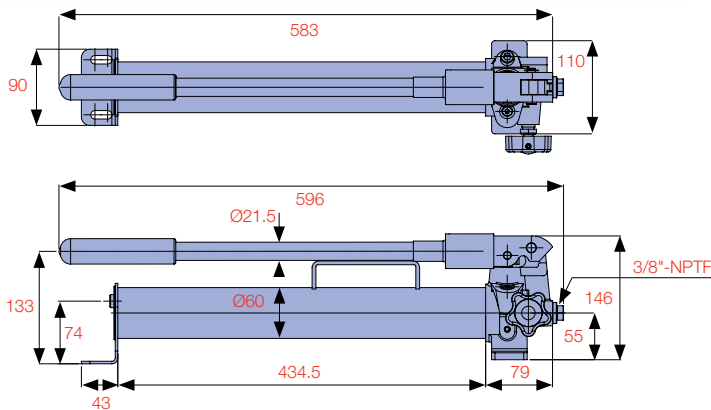
PUMPS



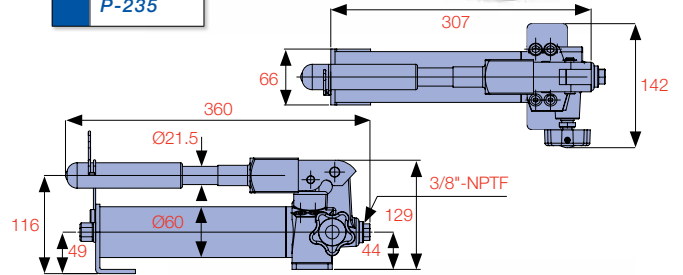
P-290



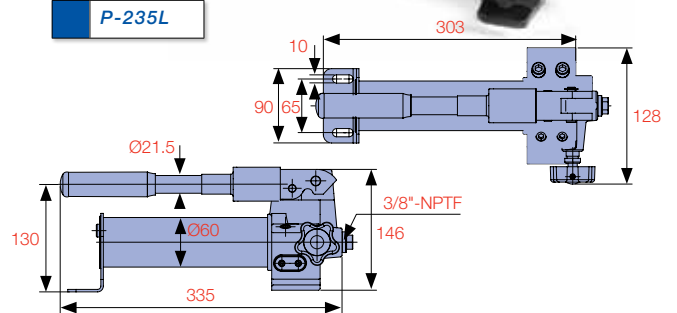
P-170



P-235



P-235L



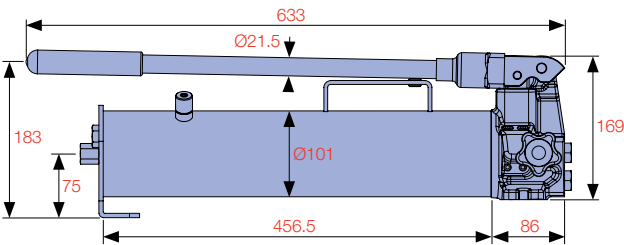
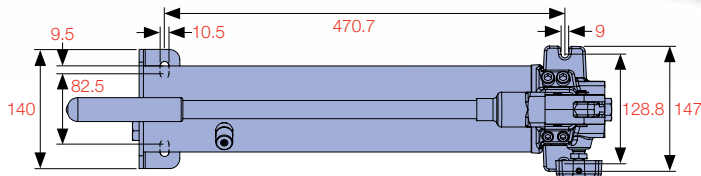
THE **P-SERIES** STEEL BODIED MANUAL HAND PUMP RANGE OFFERS A WIDE CHOICE OF TANK AND FLOW OPTIONS WHERE MANUAL PORTABLE HYDRAULIC POWER IS REQUIRED.

All pumps have a low handle effort for ease of operation and large, easy to grip external pressure release knobs. All models (excluding P-235L) incorporate a convenient carry handle. For applications requiring a high 1st stage flow the P-2260 offers 30cc per stroke within a compact portable package. Durapac's pump range is a robustly built industry proven performer.

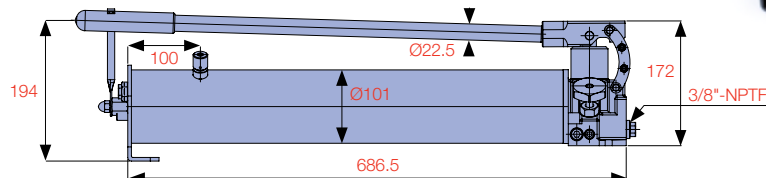
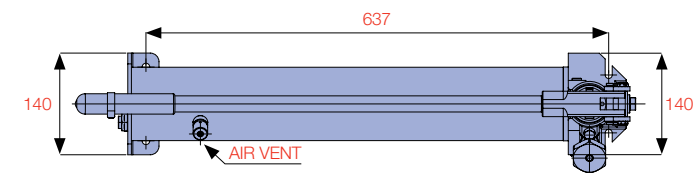
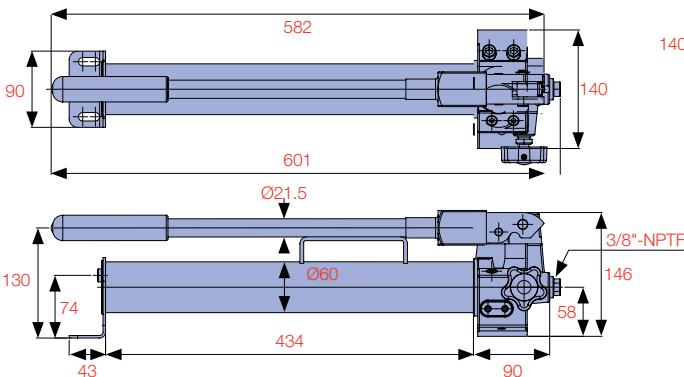
Model Number	Operation	Used with Cylinder	Valve Type	Pressure Rating (bar)		Usable Oil Capacity (cc)	Oil Volumes per Stroke (cc)		Oil Port Thread	Max. Handle Effort (kg)	Weight with Oil (kg)
				1st Stage	2nd Stage		1st Stage	2nd Stage			
P-235	Two Speed	S/A	2 Way	13.8	700	350	7.0	1.0	3/8"-NPTF	34	5.5
P-235L	Two Speed	S/A	2 Way	13.8	240	350	13.0	2.8	3/8"-NPTF	25	5.5
P-170	Single Speed	S/A	2 Way	700.0	-	700	3.1	-	3/8"-NPTF	33	6.5
P-270	Two Speed	S/A	2 Way	13.8	700	700	13.0	2.8	3/8"-NPTF	41	7.3
P-290	Two Speed	S/A	2 Way	14.0	700	900	12.5	2.8	3/8"-NPTF	33	7.5
P-2200	Two Speed	S/A	2 Way	13.8	700	2,000	13.0	2.8	3/8"-NPTF	35	11.5
P-2200D	Two Speed	D/A	4 Way	13.8	700	2,000	13.0	2.8	3/8"-NPTF	37	14.5
P-2260	Two Speed	S/A	2 Way	28.0	700	2,600	30.0	3.0	3/8"-NPTF	36	13.5



P-2200



P-270



OIL CAPACITY

350 - 2,600 cc

1ST STAGE FLOW RANGE

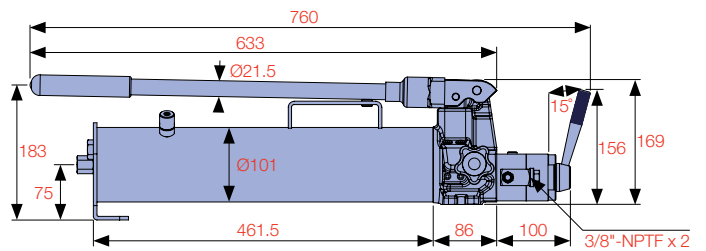
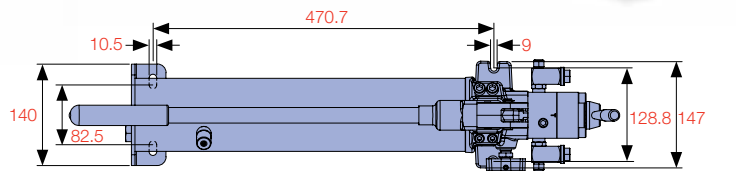
3.1 - 30 cc

MAXIMUM OPERATING PRESSURE

240 / 700 bar



P-2200D



P-2260