

THE **TJ-SERIES** TOE JACKS ARE A PREMIUM RANGE IDEALLY SUITED TO LIFTING HEAVY MACHINERY OR EQUIPMENT WHEN ACCESS HEIGHT IS RESTRICTED.

Toe lift capacities range from 2-25 ton and all models feature a spring return piston\*.



### EASE OF USE

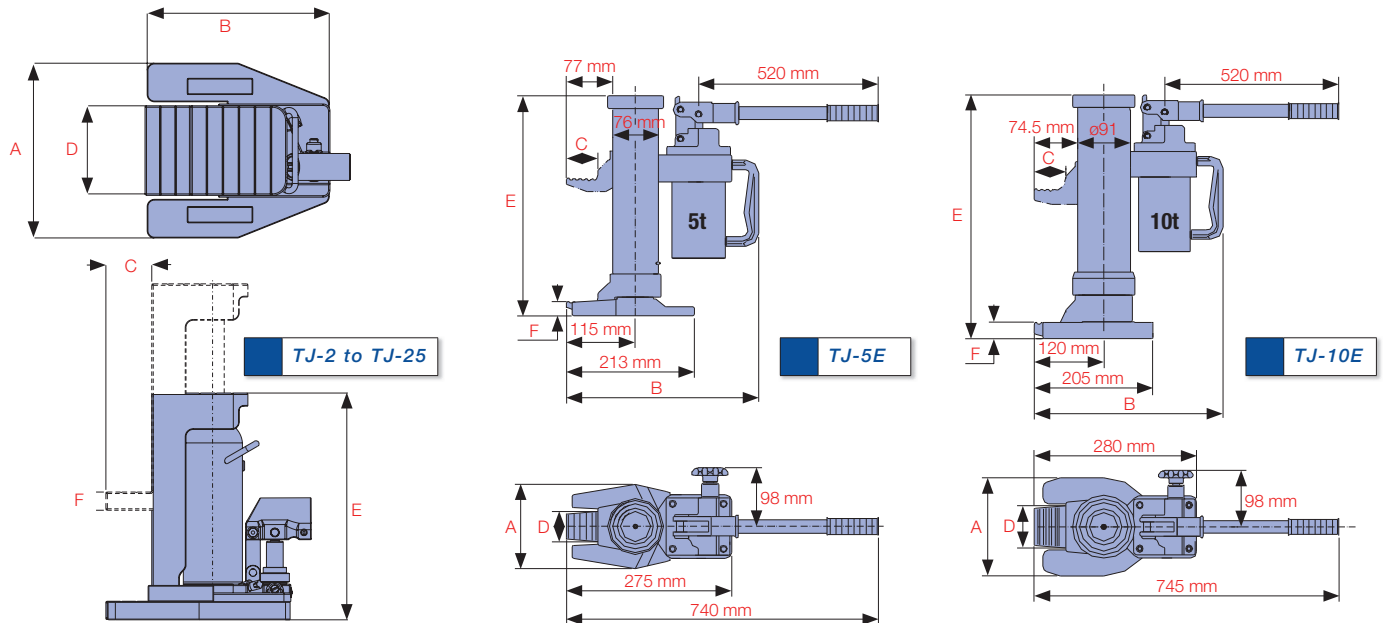
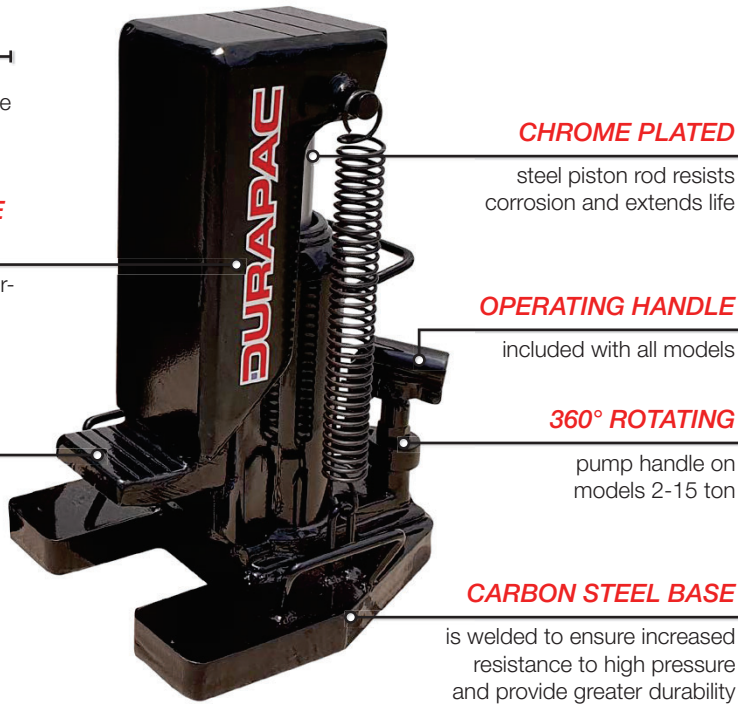
all jacks have been designed for ease of use and handling

### INTERNAL STROKE LIMITER

prevents piston rod over-extension

### LIFTING TOE

manufactured from high strength alloy steel



Model No.	Jack Capacity ton** / kN	A Jack Width (mm)	B Jack Depth (mm)	C Toe Length (mm)	D Toe Width (mm)	E Collapsed Height (mm)	F Min. Toe Height (mm)	Stroke (mm)	Weight (kg)
TJ-2	2	19.9	145	45	50	235	14	118	9.0
TJ-5	5	49.0	185	55	70	295	25	123	23.0
TJ-5E	5	49.0	140	53	45	368	25	205	23.0
TJ-10	10	98.0	230	60	80	330	30	141	32.0
TJ-10E	10	98.0	170	55	70	420	30	230	33.0
TJ-15	15	147.0	250	58	100	340	28	165	48.0
TJ-25	25	245.1	280	65	145	382	38	129	80.0

\* Spring Return not included in the TJ-2 Model

\*\* Nominal Jack Capacity in ton - see kN values for actual capacity