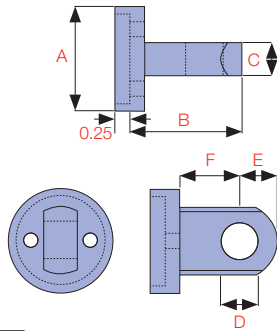
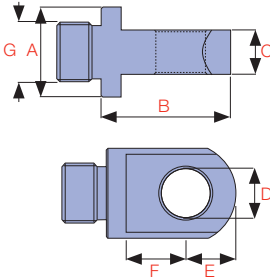


BASE CLEAVES



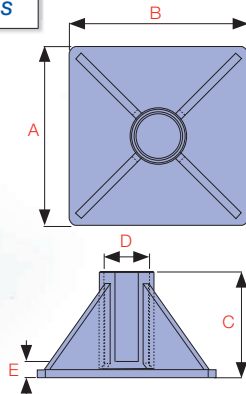
Model No.	Cylinder Capacity (ton)	Dimensions (mm)						Suits Models
		A	B	C	D	E	F	
CBC-5	5	44	47	14	16	16	25	RG 5 ton
CBC-10	10	63	66	25	22	25	35	RG 10 ton
CBC-15	15	76	66	25	22	25	35	RG 15 ton
CBC-25	25	95	79	38	31	31	41	RG 25 ton

PISTON ROD CLEAVES



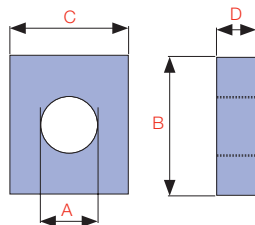
Model No.	Cylinder Capacity (ton)	Dimensions (mm)							Suits Models
		A	B	C	D	E	F	G	
CPC-5	5	28	41	14	16	16	19	3/4"-16UNF	RG 5 ton
CPC-1015	10/15	42	61	25	22	25	28	1"-8UNC	RG 10/15 ton
CPC-25	25	57	74	38	31	31	35	1 1/2"-16UN	RG 25 ton

CYLINDER JACKING BASES



Model No.	Cylinder Capacity (ton)	Dimensions (mm)					Suits Models
		A	B	C	D	E	
CB-10	10	228	228	135	58	20	RG 10 ton
CB-25	25	279	279	140	86	26	RG 25 ton
CB-50	50	300	300	100	130	41	RG 50 ton
CB-50A	50	300	300	100	128	41	RSLC 50 ton

MOUNTING BLOCKS



Model No.	Cylinder Capacity (ton)	Dimensions (mm)				Suits Models
		A	B	C	D	
CMB-5	5	1 1/2"-16UN	88	76	25	RG 5 ton
CMB-10	10	2 1/4"-14UN	114	88	25	RG 10 ton
CMB-15	15	2 3/4"-16UN	101	114	38	RG 15 ton
CMB-25	25	3 5/16"-12UN	127	165	50	RG 25 ton

BASE ATTACHMENT

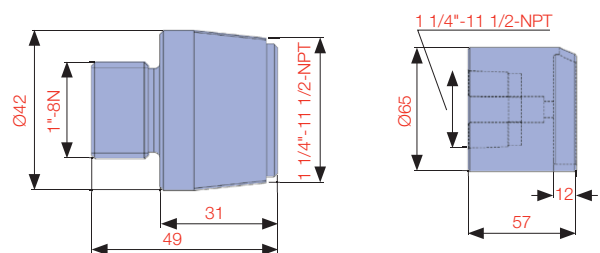


ZAM1245

THREAD ADAPTOR



ZAM1246

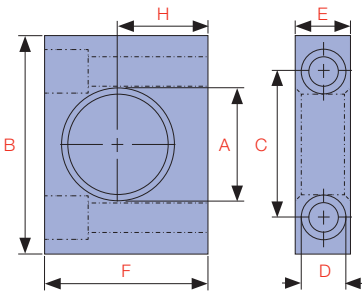


ZAM1245 and ZAM1246 allow Durapac RG 10 ton series cylinders (excluding RG-101) to be used with CRK-10 attachments.

CYLINDER ACCESSORIES

C

CYLINDERS



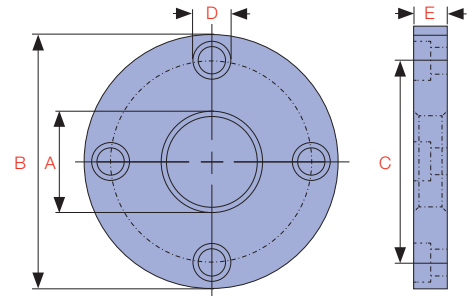
FOOT MOUNTING FOR USE WITH RETAINING NUT

Model No.	Cylinder Capacity		Dimensions (mm)							Suits Model
	ton*	kN	A	B	C	D	E	F	H	
RAD-141	4	35	35.1	76.2	58.0	10.5	20.0	57.0	31.8	RDP 4 ton
RAD-171	9	80	50.8	101.6	78.0	13.5	25.0	82.5	44.5	RDP 9 ton
RAD-181	16	142	66.8	127.0	95.2	20.0	35.0	100.0	52.4	RDP 16 ton
RAD-191	25	222	82.6	158.8	117.5	26.5	45.0	125.0	63.5	RDP 25 ton



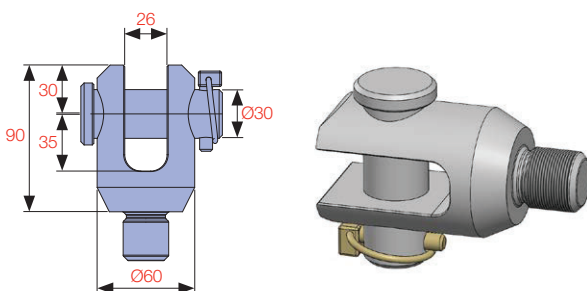
FLANGE MOUNTING FOR USE WITH RETAINING NUT

Model No.	Cylinder Capacity		Dimensions (mm)					Suits Model
	ton*	kN	A	B	C	D	E	
RAD-142	4	35	35.1	98.6	78.5	10.4	19.0	RDP 4 ton
RAD-172	9	80	50.8	120.7	98.6	10.4	25.4	RDP 9 ton
RAD-182	16	142	66.8	143.0	115.9	13.5	35.0	RDP 16 ton
RAD-192	25	222	82.6	165.1	135.6	16.8	44.5	RDP 25 ton

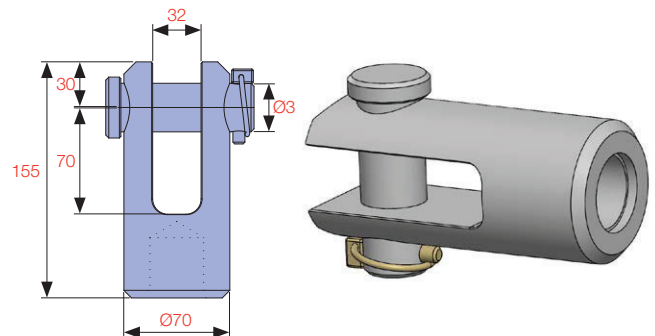


OPTIONAL CLEVIS ENDS

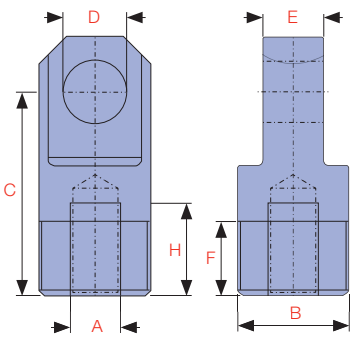
Note: 2 x Clevis and Pin Sets required per cylinder



RAP-106-CA suits RAP-106



RAP-206-FCA suits RAP-206



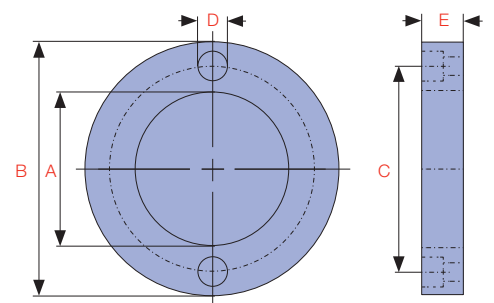
CLEVIS EYE

Model No.	Cylinder Capacity		Dimensions (mm)							Suits Model
	ton*	kN	A	B	C	D	E	F	H	
RAD-150**	4	35	1/2"-20	1-1/8"-20	52.4	16.0	15.9	19.1	23.8	RDP 4 ton
RAD-151**	9	80	3/4"-16	1-11/16"-18	57.1	20.0	25.4	25.4	23.8	RDP 9 ton
RAD-152**	16	142	1-1/8"-12	2-3/16"-16	77.8	25.0	31.8	25.4	30.2	RDP 16 ton
RAD-153**	25	222	1-1/2"-12	2-3/4"-16	77.8	32.0	38.2	25.4	27.0	RDP 25 ton



RETAINING NUT

Model No.	Cylinder Capacity		Dimensions (mm)					Suits Model
	ton*	kN	A	B	C	D	E	
RAD-143	4	35	1-3/8"-12	57.0	49.5	6.3	9.5	RDP 4 ton
RAD-173	9	80	2"-12	75.0	65.5	6.7	12.7	RDP 9 ton
RAD-183	16	142	2-5/8"-16	92.0	81.0	6.7	19.0	RDP 16 ton
RAD-193	25	222	3-1/4"-16	108.0	96.5	6.7	25.4	RDP 25 ton



JACKING BASES

MOUNTING BLOCKS



BASE AND PISTON CLEVISES

*Nominal Cylinder Capacity in ton - see kN values for actual capacity
 **See RDP-Series table for Clevis Eye Mounting Dimensions (L, L1 & M)