

DOUBLE ACTING COLLAR THREAD CYLINDERS

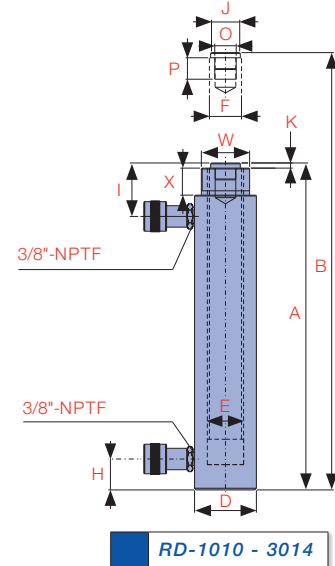
C

HYDRAULIC CYLINDERS



THE **RD-SERIES** IS A VERSATILE AND HEAVY DUTY DOUBLE ACTING CYLINDER FOR USE IN INDUSTRIAL APPLICATIONS REQUIRING HIGH POWER AND PRECISE POSITIONING OF HEAVY LOADS.

All RD-Series cylinders can be used in high working cycle applications and are perfect for bridge lifting, hydraulic presses, construction and maintenance applications. Cylinder body mounting threads and base mounting holes on most models allow greater mounting flexibility. All cylinders have a hard chrome piston rod, bronze overlay on the piston bearing area and retract side safety pressure relief valves to ensure long term, trouble free performance.



Model Number	Cylinder Capacity			Stroke (in)	Cylinder Effective Area		Oil Capacity		A Collapsed Height (in)	B Extended Height (in)	D Outside Diameter (in)	E Cylinder Bore Diameter (in)	F Piston Rod Diameter (in)	H Base to Advance Port (in)
	ton*	Advance ton* / max.	Retract ton* / max.		Advance (in ²)	Retract (in ²)	Advance (in ³)	Retract (in ³)						
RD-1010	10	11.1	4.0	10.00	2.23	0.80	22.39	7.56	16.13	26.13	2.88	1.69	1.38	1.44
RD-1012		11.1	4.0	12.00	2.23	0.80	26.90	9.09	18.00	30.00	2.88	1.69	1.38	1.44
RD-308	30	32.5	15.0	8.25	6.51	3.00	53.62	24.34	15.24	23.46	4.00	2.88	2.13	2.24
RD-3014		32.5	15.0	14.50	6.51	3.00	94.43	42.82	21.63	36.13	4.00	2.88	2.13	2.24
RD-506	50	55.3	16.9	6.13	11.06	3.40	67.71	20.62	13.07	19.19	5.00	3.75	3.13	1.13
RD-5013		55.3	16.9	13.13	11.06	3.40	144.94	43.86	20.06	33.19	5.00	3.75	3.13	1.13
RD-5020		55.3	16.9	20.13	11.06	3.40	221.80	67.10	28.88	49.00	5.00	3.75	3.13	2.25
RD-756	75	79.6	24.7	6.13	15.92	4.90	97.60	29.89	13.69	19.81	5.75	4.50	3.75	1.19
RD-7513		79.6	24.7	13.13	15.92	4.90	208.32	63.81	20.69	33.81	5.75	4.50	3.75	1.19
RD-1006	100	103.2	48.0	6.63	20.65	9.60	136.58	63.68	14.06	20.69	7.00	5.13	3.75	1.50
RD-10013		103.2	48.0	13.13	20.65	9.60	270.72	126.21	20.63	33.75	7.00	5.13	3.75	1.50
RD-10018		103.2	48.0	18.13	20.65	9.60	373.99	174.34	27.06	45.19	7.00	5.13	3.75	1.63

* Nominal Cylinder Capacity in ton - see max. values for actual capacity

SAFETY PRESSURE

relief valve protects cylinder

PISTON ROD WIPER

reduces contaminants

GLAND NUT

with low friction coating withstands full dead end loading

HARD CHROME PLATED PISTON ROD

for maximum corrosion resistance and cylinder life

BRONZE OVERLAY

on piston bearing area reduces side load induced damage and extends cylinder life

HARDENED GROOVED LOAD CAP

to prevent piston rod damage. Optional tilt saddles available

CYLINDER BODY MOUNTING THREADS

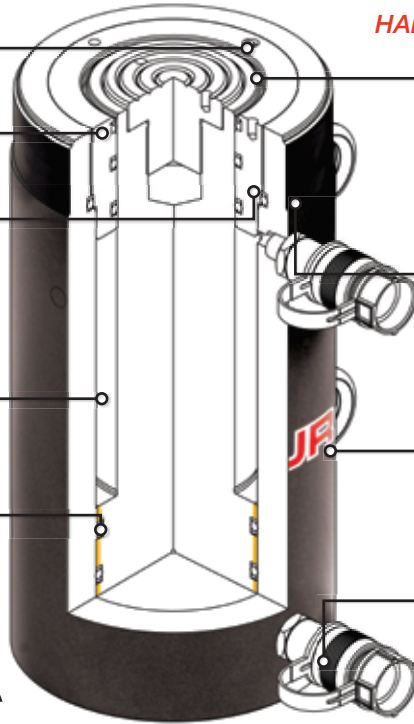
piston rod threads and base mounting holes permit easy fixture

POWDER COATED FINISH

enhances appearance and reduces corrosion

PARKER

industry standard high flow couplings for compatibility



CAPACITY RANGE

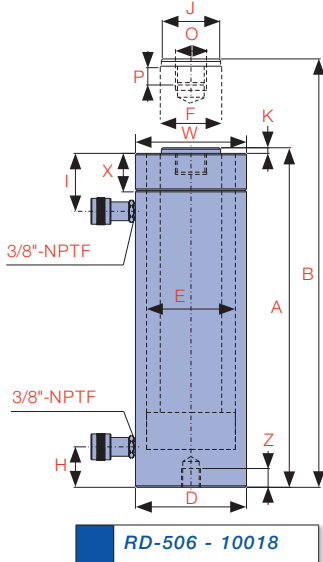
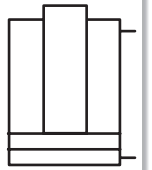
10 - 500 ton

STROKE RANGE

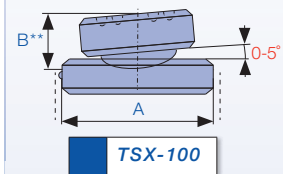
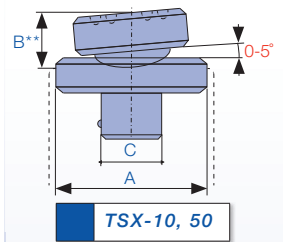
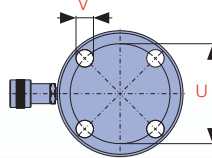
2.25 - 48.00 in

MAXIMUM OPERATING PRESSURE

10,150 psi



NO MOUNTING HOLES ON 10, 30 & 75 ton, RD-506 & RD-5013 models



I Top to Return Port (in)	J Standard Load Cap Diameter (in)	K Load Cap Protrusion from Piston Rod (in)	O Piston Rod Internal Thread	P Piston Rod Thread Length (in)	Base Mounting Holes			W Collar Thread (UN)	X Collar Thread Length (in)	Weight (lbs)	Optional Tilt Saddle			Handle Type	
					U Bolt Circle Diameter (in)	V Thread (UNC)	Z Thread Depth (in)				Model Number	A (in)	B** (in)		C (in)
2.25	1.38	0.24	1"-8UNC	1.00	-	-	-	2-1/4"-14	1.06	28.0	TSX-10	1.38	0.79	0.87	
2.25	1.38	0.24	1"-8UNC	1.00	-	-	-	2-1/4"-14	1.06	31.0	TSX-10	1.38	0.79	0.87	
3.19	2.00	0.41	1-1/2"-16UN	1.00	-	-	-	3-5/16"-12	1.94	40.0	TSX-50	1.97	0.83	1.42	
3.19	2.00	0.41	1-1/2"-16UN	1.00	-	-	-	3-5/16"-12	1.94	64.0	TSX-50	1.97	0.83	1.42	
3.00	2.81	0.11	1"-12UNF	1.00	-	-	-	5"-12	2.00	67.0	TSX-100	2.80	0.98	-	♥
3.00	2.81	0.11	1"-12UNF	1.00	-	-	-	5"-12	2.00	115.0	TSX-100	2.80	0.98	-	♥
3.00	2.81	0.11	1"-12UNF	1.00	3.00	1/2"-13	-	5"-12	2.00	150.0	TSX-100	2.80	0.98	-	♥
3.00	2.81	0.25	1"-12UNF	1.50	-	-	-	5-3/4"-12	1.97	92.0	TSX-100	2.80	0.98	-	♥
3.19	2.81	0.25	1"-12UNF	1.50	-	-	-	5-3/4"-12	1.97	150.0	TSX-100	2.80	0.98	-	♥
2.81	3.00	0.13	1-3/4"-12UN	1.38	5.50	3/4"-10	1.00	6-7/8"-12	2.00	135.0	Consult Durapac			♦	
2.81	3.00	0.13	1-3/4"-12UN	1.38	5.50	3/4"-10	1.00	6-7/8"-12	2.00	205.0				♦	
3.63	3.00	0.13	1-3/4"-12UN	1.38	5.50	3/4"-10	1.00	6-7/8"-12	2.00	260.0				♦	

HANDLE TYPES: ♦ EYEBOLT ♥ REMOVABLE STRAP HANDLE

** Total cylinder collapsed height with optional tilt saddle equals (dim. A - dim. K + dim. B)

DOUBLE ACTING COLLAR THREAD CYLINDERS

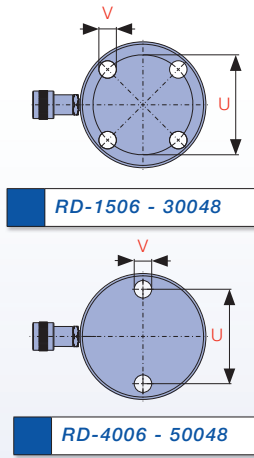
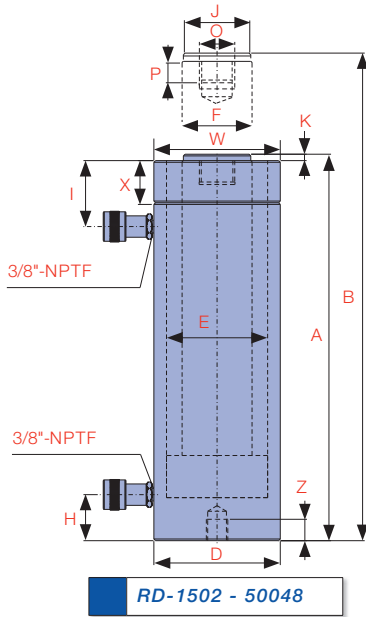
HYDRAULIC CYLINDERS



RD-50018 with Opt. Tilt Saddle

Model Number	Cylinder Capacity			Stroke (in)	Cylinder Effective Area		Oil Capacity		A Collapsed Height (in)	B Extended Height (in)	D Outside Diameter (in)	E Cylinder Bore Diameter (in)	F Piston Rod Diameter (in)	H Base to Advance Port (in)
	ton*	Advance ton* / max.	Retract ton* / max.		Advance (in ²)	Retract (in ²)	Advance (in ³)	Retract (in ³)						
RD-1502	150	153.5	74.0	2.25	30.71	14.80	68.81	33.18	7.19	9.44	8.00	6.25	4.50	0.88
RD-1506		153.5	74.0	6.13	30.71	14.80	188.37	90.77	15.19	21.31	8.00	6.25	4.50	1.94
RD-15013		153.5	74.0	13.13	30.71	14.80	402.11	193.80	22.17	36.02	8.00	6.25	4.50	1.94
RD-15032		153.5	74.0	32.13	30.71	14.80	984.11	474.28	43.94	76.06	8.00	6.25	4.50	3.31
RD-2006	200	221.0	112.5	6.00	44.21	22.50	264.13	134.63	16.94	22.94	9.75	7.50	5.25	2.25
RD-20013		221.0	112.5	13.00	44.21	22.50	573.46	292.25	23.94	36.94	9.75	7.50	5.25	2.25
RD-20018		221.0	112.5	18.00	44.21	22.50	794.16	404.74	30.13	48.13	9.75	7.50	5.25	3.38
RD-20024		221.0	112.5	24.00	44.21	22.50	1,060.06	540.22	36.13	60.13	9.75	7.50	5.25	3.38
RD-20036		221.0	112.5	36.00	44.21	22.50	1,588.99	809.47	48.13	84.13	9.75	7.50	5.25	3.38
RD-20048		221.0	112.5	48.00	44.21	22.50	2,119.20	1,079.58	60.13	108.13	9.75	7.50	5.25	3.38
RD-3006	300	354.6	190.0	6.00	70.93	38.00	426.57	226.86	19.13	25.13	12.25	9.50	6.50	3.50
RD-30012		354.6	190.0	12.00	70.93	38.00	850.40	452.25	25.13	37.13	12.25	9.50	6.50	3.50
RD-30018		354.6	190.0	18.00	70.93	38.00	1,274.17	677.71	31.13	49.13	12.25	9.50	6.50	3.50
RD-30024		354.6	190.0	24.00	70.93	38.00	1,698.79	903.11	37.13	61.13	12.25	9.50	6.50	3.50
RD-30036		354.6	190.0	36.00	70.93	38.00	2,552.36	1,356.82	49.13	85.13	12.25	9.50	6.50	3.50
RD-30048		354.6	190.0	48.00	70.93	38.00	3,400.38	1,807.61	61.13	109.13	12.25	9.50	6.50	3.50
RD-4006	400	475.4	255.0	6.00	95.09	51.00	568.22	304.02	21.19	27.19	14.13	11.00	7.50	4.25
RD-40012		475.4	255.0	12.00	95.09	51.00	1,140.15	610.12	27.19	39.19	14.13	11.00	7.50	4.25
RD-40018		475.4	255.0	18.00	95.09	51.00	1,709.10	914.15	33.19	51.19	14.13	11.00	7.50	4.25
RD-40024		475.4	255.0	24.00	95.09	51.00	2,281.34	1,220.24	39.19	63.19	14.13	11.00	7.50	4.25
RD-40036		475.4	255.0	36.00	95.09	51.00	3,418.26	1,828.35	51.19	87.19	14.13	11.00	7.50	4.25
RD-40048		475.4	255.0	48.00	95.09	51.00	4,558.90	2,438.41	63.19	111.19	14.13	11.00	7.50	4.25
RD-5006	500	565.7	315.0	6.00	113.15	63.00	676.55	376.68	22.76	28.75	15.63	12.00	8.00	4.75
RD-50012		565.7	315.0	12.00	113.15	63.00	1,357.56	753.78	28.75	40.75	15.63	12.00	8.00	4.75
RD-50018		565.7	315.0	18.00	113.15	63.00	2,034.17	1,129.48	34.75	52.75	15.63	12.00	8.00	4.75
RD-50024		565.7	315.0	24.00	113.15	63.00	2,710.72	1,505.11	40.75	64.75	15.63	12.00	8.00	4.75
RD-50036		565.7	315.0	36.00	113.15	63.00	4,072.79	2,261.39	52.75	88.75	15.63	12.00	8.00	4.75
RD-50048		565.7	315.0	48.00	113.15	63.00	5,425.95	3,012.73	64.75	112.75	15.63	12.00	8.00	4.75

* Nominal Cylinder Capacity in ton - see max. values for actual capacity



NO MOUNTING HOLES ON RD-1502, 15032



C
HYDRAULIC CYLINDERS

I Top to Return Port (in)	J Standard Load Cap Diameter (in)	K Load Cap Protrusion from Piston Rod (in)	O Piston Rod Internal Thread	P Piston Rod Thread Length (in)	Base Mounting Holes			W Collar Thread (UN)	X Collar Thread Length (in)	Weight (lbs)	Optional Tilt Saddle			Handle Type
					U Bolt Circle Diameter (in)	V Thread (UNC)	Z Thread Depth (in)				Model Number	A (in)	B** (in)	
2.63	3.66	0.06	-	-	-	-	-	-	-	110.0	Consult Durapac			◆
3.31	4.49	0.75	3-3/8"-16	1.38	6.25	3/4"-16UNF	1.00	8"-12	2.36	205.0	"			◆
3.31	4.49	0.75	3-3/8"-16	1.38	6.25	3/4"-16UNF	1.00	8"-12	2.36	275.0	"			◆
3.31	4.49	0.75	3-3/8"-16	1.38	-	-	-	8"-12	2.36	525.0	"			◆
3.81	5.25	0.88	-	-	5.00	1"-8UNC	1.00	-	-	325.0	"			◆
3.81	5.25	0.88	2-1/2"-12	2.50	5.00	1"-8UNC	1.00	9-3/4"-12	2.13	440.0	"			◆
4.00	5.25	0.88	2-1/2"-12	2.50	5.00	1"-8UNC	1.00	9-3/4"-12	2.13	450.0	"			◆
4.00	5.25	0.88	2-1/2"-12	2.50	5.00	1"-8UNC	1.00	9-3/4"-12	2.13	616.0	"			◆
4.00	5.25	0.88	2-1/2"-12	2.50	5.00	1"-8UNC	1.00	9-3/4"-12	2.13	845.0	"			◆
4.00	5.25	0.88	2-1/2"-12	2.50	5.00	1"-8UNC	1.00	9-3/4"-12	2.13	1,065.0	"			◆
4.50	6.50	1.13	2-1/2"-12	3.25	6.25	1-1/4"-7UNC	1.75	12-1/4"-12	2.31	441.0	"			◆
4.50	6.50	1.13	2-1/2"-12	3.25	6.25	1-1/4"-7UNC	1.75	12-1/4"-12	2.31	608.0	"			◆
4.50	6.50	1.13	2-1/2"-12	3.25	6.25	1-1/4"-7UNC	1.75	12-1/4"-12	2.31	776.0	"			◆
4.50	6.50	1.13	2-1/2"-12	3.25	6.25	1-1/4"-7UNC	1.75	12-1/4"-12	2.31	1,034.0	"			◆
4.50	6.50	1.13	2-1/2"-12	3.25	6.25	1-1/4"-7UNC	1.75	12-1/4"-12	2.31	1,385.0	"			◆
4.50	6.50	1.13	2-1/2"-12	3.25	6.25	1-1/4"-7UNC	1.75	12-1/4"-12	2.31	1,720.0	"			◆
5.25	7.50	1.13	3"-12	3.75	8.00	1-1/2"-6UNC	2.00	14-1/8"-8	2.56	670.0	"			◆
5.25	7.50	1.13	3"-12	3.75	8.00	1-1/2"-6UNC	2.00	14-1/8"-8	2.56	880.0	"			◆
5.25	7.50	1.13	3"-12	3.75	8.00	1-1/2"-6UNC	2.00	14-1/8"-8	2.56	1,000.0	"			◆
5.25	7.50	1.13	3"-12	3.75	8.00	1-1/2"-6UNC	2.00	14-1/8"-8	2.56	1,317.0	"			◆
5.25	7.50	1.13	3"-12	3.75	8.00	1-1/2"-6UNC	2.00	14-1/8"-8	2.56	1,746.0	"			◆
5.25	7.50	1.13	3"-12	3.75	8.00	1-1/2"-6UNC	2.00	14-1/8"-8	2.56	2,162.0	"			◆
6.00	8.00	1.13	3-1/4"-12	4.25	8.00	1-3/4"-5UNC	2.12	15-5/8"-8	3.13	953.0	"			◆
6.00	8.00	1.13	3-1/4"-12	4.25	8.00	1-3/4"-5UNC	2.12	15-5/8"-8	3.13	1,300.0	"			◆
6.00	8.00	1.13	3-1/4"-12	4.25	8.00	1-3/4"-5UNC	2.12	15-5/8"-8	3.13	1,500.0	"			◆
6.00	8.00	1.13	3-1/4"-12	4.25	8.00	1-3/4"-5UNC	2.12	15-5/8"-8	3.13	1,800.0	"			◆
6.00	8.00	1.13	3-1/4"-12	4.25	8.00	1-3/4"-5UNC	2.12	15-5/8"-8	3.13	2,210.0	"			◆
6.00	8.00	1.13	3-1/4"-12	4.25	8.00	1-3/4"-5UNC	2.12	15-5/8"-8	3.13	2,700.0	"			◆

HANDLE TYPES: ◆ EYEBOLT ♥ REMOVABLE STRAP HANDLE